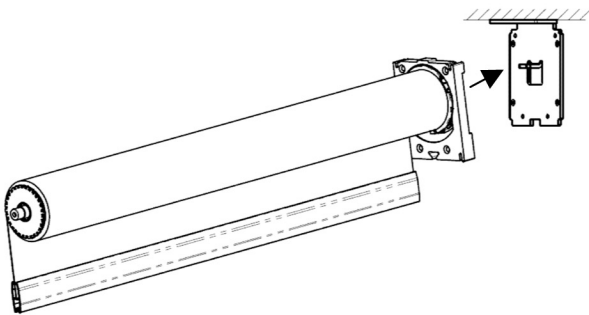


Platinum Series Clutch Installation Instructions

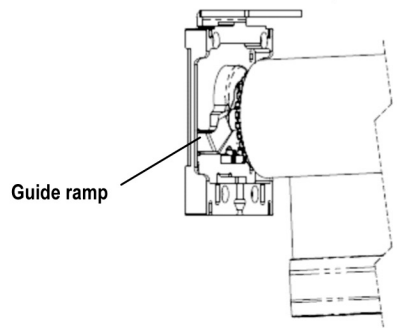
Mount installation brackets.



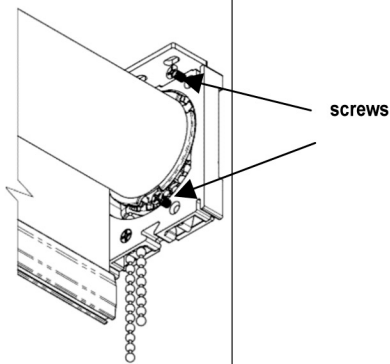
Insert clutch end into clutch bracket.



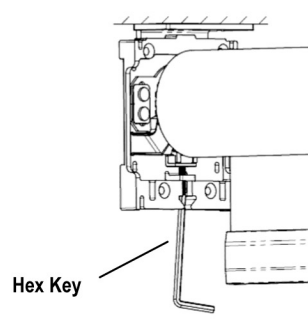
Position spring loaded idler end spindle on the ramp to guide the idler end into bearing.



Fasten screws to secure clutch.



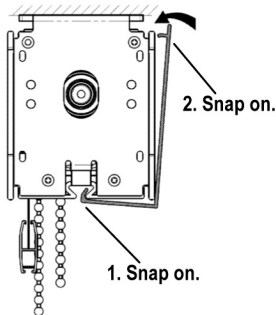
Use Hex key to adjust the shade to avoid telescoping.



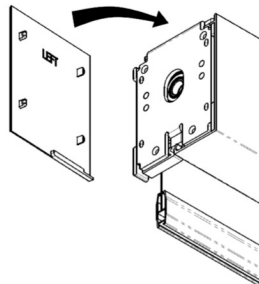
Install Fascia and End Caps.

To uninstall:

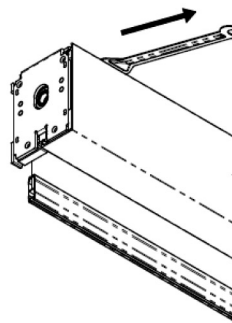
1) To install fascia:



2) To install end caps:
Place end cap pins in the bracket holes and clip them in.



1) To remove fascia:
Insert hand tool and pull fascia off the brackets.



2) Insert and turn the wrench in direction as shown to fully retract the idler end spindle. Then remove shade.

